



# Orchard Series

## 804 CAB

Tier 3A Engine



- Easy to operate
- Low price per kilowatt
- Turbocharger and intercooler
- Better performance with less fuel
- Low fuel emissions
- Impressive turning angle
- Automatic hydraulic lifting system
- Hydrostatic steering
- Solid metal castings
- Perkins Engine
- ZF Transmission
- Mita Hydraulics
- Bosch Electrics
- Airconditioned, carbon filter cab



**Armed for the toughest jobs.**

# Orchard Series

# 804 CAB

Perkins Tier 3A Engine

## ENGINE

Emissions	Stage III-A (Tier 3)
Model	Perkins / 1103D-33TA
Power	58 kW @ 2200 rpm
PTO Power	49 kW
Rated speed	2350 rpm
No. of cylinders / cubic capacity	3 Cylinders / 3,3 liters
Aspiration	Turbocharger and intercooler
Bore & stroke	105 mm x 127 mm
Max torque	310 Nm
Torque reserve	23%

## CLUTCH

Type	Dry, dual, mechanical control
Diameter	280 mm
Lining	Serametalic

## TRANSMISSION

Type	ZF T-537
Shifting	(F)x(H+L)x4x2 - (R)x4x2
Gears	16 forward / 8 reverse
Speed	1.99 – 41.05 km/hr

## PTO SHAFT

Type	Independent
Speed	540/540E rpm

## HYDRAULICS

Type	Mechanical with draft
Three point linkage	Cat. 2 linkage with ball ends
Control	Position, draft and mixed
Lift capacity	2800 Kg
Operating pressure	180 Mpa
Pump capacity	48.5 L/min @ 2400 rpm
Remote valves	Standard two set valves

## OTHER

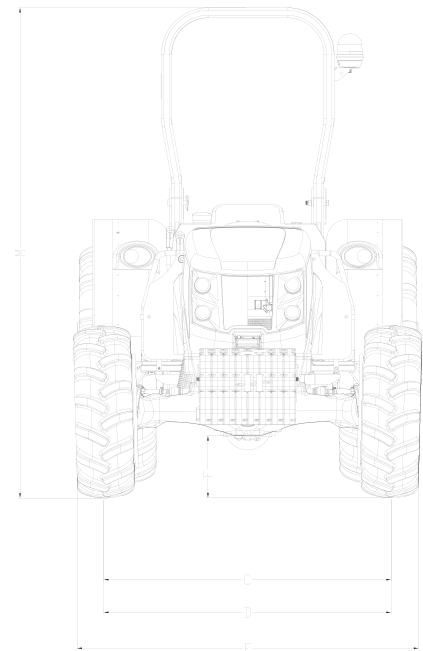
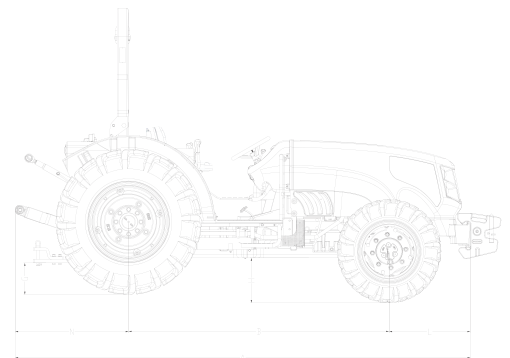
Drive system	4 WD
Operating space	Cab
Steering	Hydrostatic
Service brake	Mechanical, oil-cooled, 4 plate disc brakes
Parking brake	Mechanical
Front axle 4WD	10° Oscillation - 50° turning angle
Rear axle	Mechanical differential locking
Fuel tank capacity	60 L

## STANDARD BALLAST

Front ballast	8 x 30 Kg
Rear ballast	2 x 40 Kg

## DIMENSIONS

A - Length	3870 mm
B - Wheelbase	2130 mm
C - Front track width	1350 mm
D - Rear track width	1300 mm
E - Width	1500 mm
F - Ground clearance	285 mm
G - Ground clearance with trailer	260 mm
L - Distance from front to axle axis	680 mm
M - Maximum height	2530 mm
N - Distance from lowerlink ends to rear axle axis	925 mm
Standard front tyre	280/70 R18
Standard rear tyre	280/85 R24
Tractor weight (without ballast)	2750 Kg



**orchard**  
AGRIMEK

Tel: +27 (0)23 347 2646  
sales@agrimek.co.za  
www.agrimek.co.za

Visit [www.agrimek.co.za](http://www.agrimek.co.za) to find your nearest Orchard Agrimek dealer.